

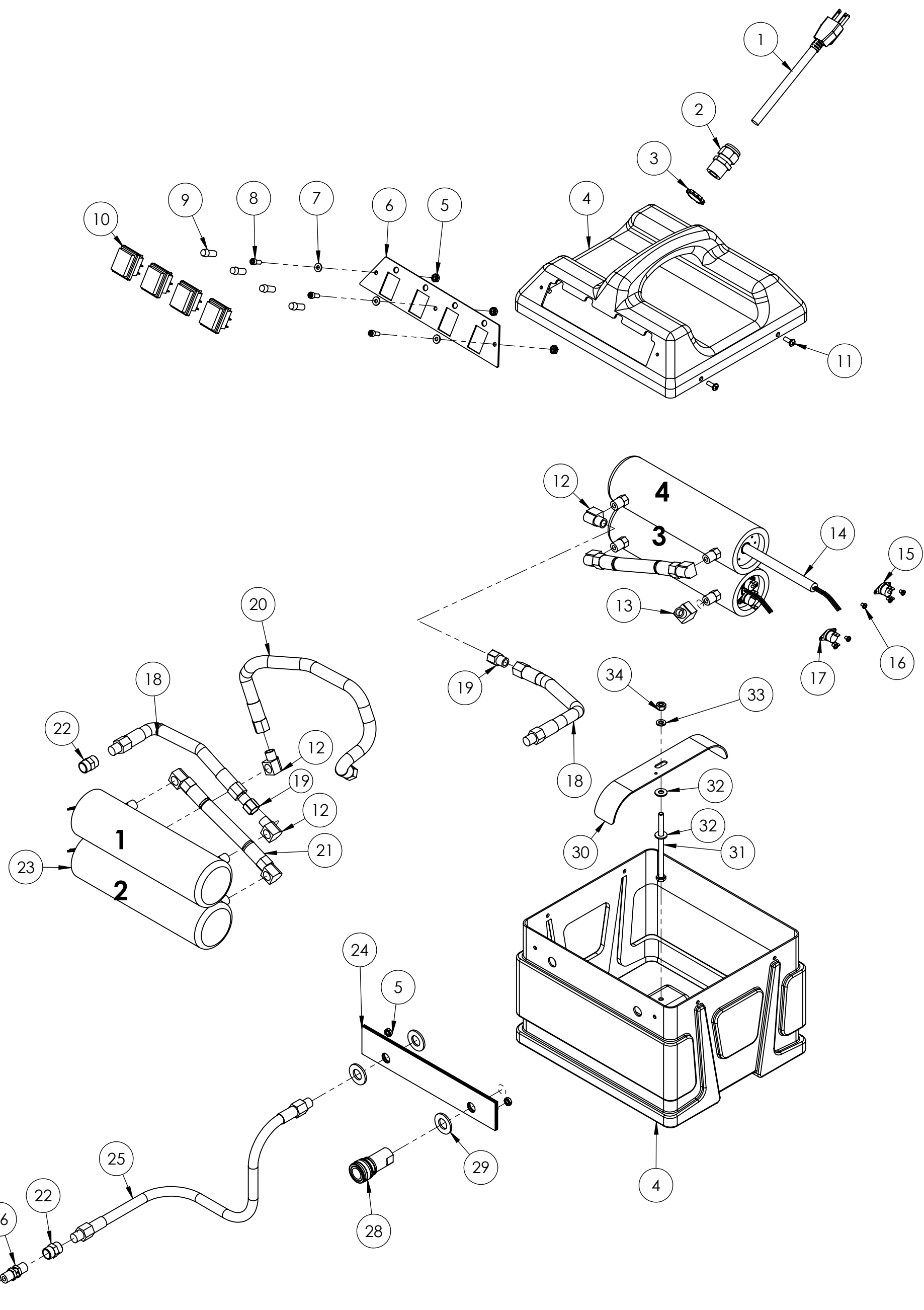
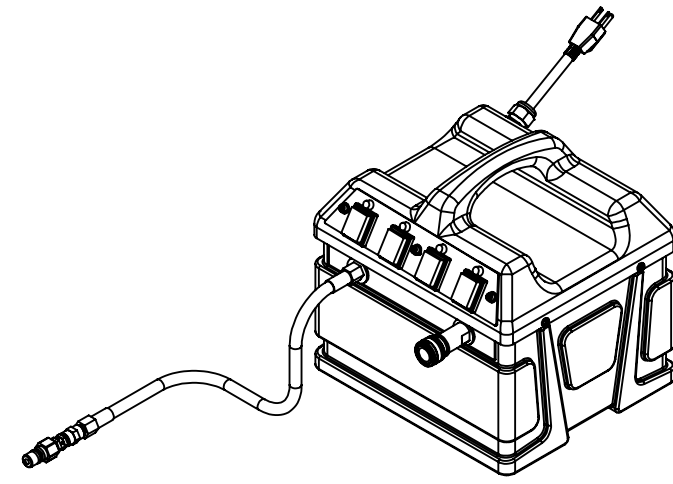
ITEM NO.	PART NO.	DESCRIPTION	QTY.
1	E531	power cord, end, 25', 12/3 black	1
2	H220	fitting, strain relief, cord	1
3	H221	nut, lock, 1/2" steel, electrical	1
4	P690	housing, mytee hot turbo, ice blue	1
5	H273	nut, kep, #10-32 zinc	5
6	H195	switch plate, mytee hot turbo	1
7	H612	washer, 8 flat, black ox	3
8	H389	screw, 10-32 x 1/2" SHCS, alloy	3
9	E511	light, red, 250v	4
10	E515	switch, rocker, 2 position	4
11	H230	screw, 10-32 x 1/2" phil pan head, s/s	4
12	B103	elbow, 90 deg street, 1/4"mpt x 1/4" fpt	7
13	B130	45 deg, street elbow, brass, 1/4" male NPTF	1
14	E571	heating rod, 600W, 115V	4
15	E574	Thermostat, 310°F ± 10°F, Manual, 1/4"	4
16	H274	screw, 6 x 3/16, phil pan head, self-tapping	4
17	E573	Thermostat, 200°, Auto, 1/4"	4
18	AH106	sol hose, 1/4" x 10", 1/4" msw x 1/4" fpt	2
19	B111	adapter, brass, extender, 1/4" mpt x 1/4" fpt, hex	2
20	AH184	hose, 3/8" x 14-1/2" (OAL), f surge	1
21	AH156	hose, 3/8" x 6.5", (OAL), f x fsw, 5400 Gray	2
22	B142A	coupling, brass, 1/4" fpt x 1/4" fpt	2
23	H903A	heater, aluminum cast, single	4
24	H955	bracket, qd mounting for Turbo	1
25	AH195	sol hose, 57" x 1/4", (OAL), m	1
26	B108	valve, brass, 1/4" check	1
27	B101	qd, brass, 1/4" m	1
28	B102	quick disconnect, 1/4" fqd x 1/4" fpt	1
29	H212	flat washer, 9/16"ID x 1 1/16"OD, AN960-C916	3
30	H016	strap, heater retainer	1
31	H096	bolt, hex, 1/4-20 x 4", zinc Finish	1
32	H210	washer, 1/4" flat, s/s	2
33	H213	washer, 1/4" lock, s/s	1
34	H215	nut, hex, 1/4-20 s/s	1

COMPONENT ASSEMBLIES

ITEM NO.	PART NO.	DESCRIPTION	QTY.
	A907	heater assembly, 1200w, 115v	2
14	E571	heating rod, 600W, 115V	4
15	E574	Thermostat, 310°F ± 10°F, Manual, 1/4"	2
17	E573	Thermostat, 200°, Auto, 1/4"	2
23	H903A	heater, aluminum cast, single	4

ITEMS NOT SHOWN

PART NO.	DESCRIPTION	QTY.
ADM-240-120	manual, mytee hot turbo	1
E341	harness, electrical	1
P590	cuties, 1/4" qd, standard pack of 2	1



	NAME	DATE	MYTEE PRODUCTS, INC. 858-679-1191
DRAWN	M.LaBarbera	2/2013	
CHECKED			
TITLE:			Mytee Hot Turbo
SCALE: 1:5			
<small>PROPRIETARY AND CONFIDENTIAL</small> <small>THE INFORMATION CONTAINED IN THIS DRAWING IS THE SOLE PROPERTY OF MYTEE PRODUCTS, INC. ANY REPRODUCTION IN PART OR AS A WHOLE WITHOUT THE WRITTEN PERMISSION OF MYTEE PRODUCTS, INC. IS PROHIBITED.</small>		SIZE DWG. NO. REV C 240-120 OD	SHEET 1 OF 1